



# PLX-Pure Lead High Rate PLX12-165FT(A) (12V165W)

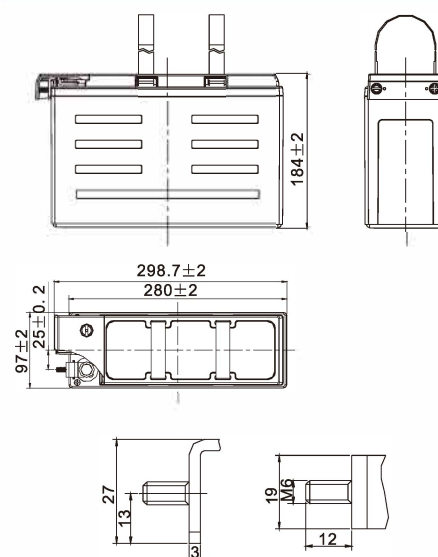


## Specifications

Rated Voltage	12V	
Nominal Rate ( $W_{15}, 1.67V/cell$ )	165 W	
Nominal Capacity( $C_{10}, 1.80V/cell$ )	38Ah	
Dimension	Length	298.7±2mm (11.76 inches)
	Width	97±2mm (3.82 inches)
	Container Height	184±2mm (7.24 inches)
	Total Height	184±2mm (7.24 inches)
Approx. Weight	12.5 Kg (27.5 lbs)	
Terminal	M6	
Container Material	PC-ABS flame retardant jar and cover to UL94 V-0	
Rated Capacity (25°C)	39.4 Ah	(20hr, 1.97A, 1.80V/cell)
	38.0 Ah	(10hr, 3.80A, 1.80V/cell)
	34.7 Ah	(5hr, 6.94A, 1.75V/cell)
	32.7 Ah	(3hr, 10.9A, 1.75V/cell)
	25.6 Ah	(1hr, 25.6A, 1.67V/cell)
Max. Discharge Current	456A	
Internal Resistance (25°C)	Approx. 4.2mΩ(Fully charged)	
Operating Temp.Range	Discharge	-40 ~ 65°C (-40 ~ 149°F)
	Charge	0 ~ 40°C (32 ~ 104°F)
	Storage	-20 ~ 40°C (-4 ~ 104°F)
Nominal Operating Temp. Range	25±3°C (77±5°F)	
Max.Charging Current(25°C)	11.4A	
Charge voltage(25°C)	Float	13.62V
	Temp. Coefficient	-3mV/cell/°C
	Equalization	14.1~14.4V
Effect of temp. to Capacity	40°C (104°F)	103%
	25°C (77°F)	100%
	0°C (32°F)	86%
Self Discharge	<p>PLX series batteries can be stored up to 24 months at 25°C(77°F), For higher temperatures the time interval will be shorter.</p> <p>Battery needs to be given a freshening charge when the OCV approach 2.10V/cell or when the maximum storage time is reached, whichever occurs first.</p>	



## Layout



Unit: mm

## Constant Current Discharge (Amperes) at 25 °C (77° F)

F.V/Time	5min	10min	15min	20min	30min	45min	1h	2h	3h	4h	5h	8h	10h	20h
1.85V/cell	94.4	70.7	59.9	49.7	36.8	31.7	22.5	13.3	10.1	7.55	6.50	4.21	3.71	1.93
1.80V/cell	110.3	80.5	66.2	54.1	39.3	33.3	23.4	13.9	10.6	7.90	6.77	4.33	3.80	1.97
1.75V/cell	122.9	87.6	71.2	57.6	41.8	34.6	24.3	14.3	10.9	8.07	6.94	4.42	3.85	2.00
1.70V/cell	135.4	93.7	75.4	60.4	43.3	35.8	24.9	14.6	11.1	8.21	7.06	4.51	3.88	2.01
1.67V/cell	141.0	99.0	76.5	62.6	46.5	36.9	25.6	14.9	11.3	8.36	7.12	4.56	3.93	2.03
1.60V/cell	147.2	103.8	81.4	65.2	47.9	37.6	26.1	15.1	11.4	8.43	7.25	4.60	3.95	2.06

## Constant Power Discharge (Watts/cell) at 25 °C (77° F)

F.V/Time	5min	10min	15min	20min	30min	45min	1h	2h	3h	4h	5h	8h	10h	20h
1.85V/cell	205.4	153.4	129.6	106.8	79.0	62.9	46.5	26.4	18.9	15.0	12.6	8.74	7.47	3.92
1.80V/cell	237.6	173.2	142.2	115.5	83.8	65.4	48.2	27.5	19.7	15.6	13.1	8.99	7.65	3.99
1.75V/cell	261.9	186.5	151.6	121.9	88.3	67.6	49.7	28.2	20.2	15.9	13.3	9.11	7.71	4.01
1.70V/cell	282.7	198.1	159.1	126.7	90.9	69.4	50.6	28.5	20.5	16.2	13.5	9.29	7.77	4.04
1.67V/cell	284.5	205.5	165.0	130.1	94.9	71.2	51.7	28.8	20.6	16.3	13.6	9.35	7.83	4.07
1.60V/cell	299.2	214.1	166.4	134.3	97.4	71.9	52.2	29.1	20.8	16.4	13.7	9.41	7.83	4.09



# PLX-Pure Lead High Rate PLX12-165FT(A) (12V165W)



## Applications

- UPS
- Emergency lighting
- Emergency power supply
- Electrical starting
- Power tools

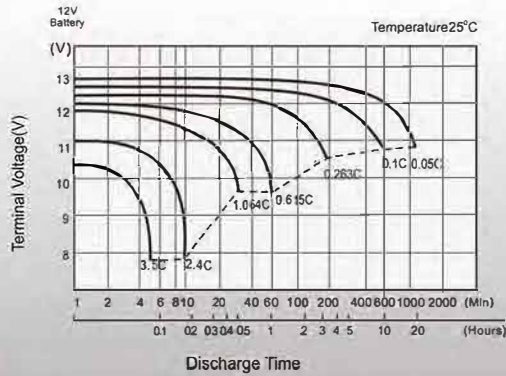
## General Features

- 20 years design life(25°C)
- Premium ABS+PC jar & covers, Flame Retardant to UL94 V-0
- High-rate performance, high energy density
- High quality AGM separators minimize electrical resistance to allow high current discharging properties

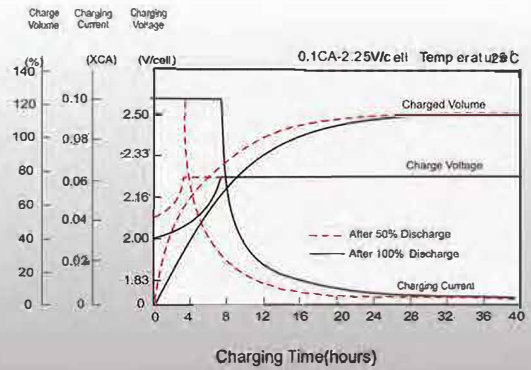
## Standards

- Conform to: IEC60896-21&22
- Classified as "Very Long Life" according to Eurobat
- UL Certified
- Manufactured in Leoch@TS16949, OHSAS 18001, ISO 9001 and ISO 14001 certified production facilities

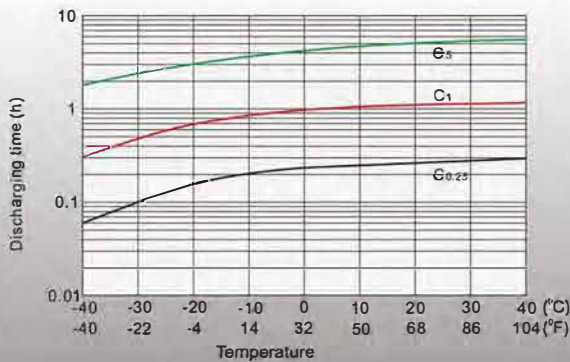
## Discharge Characteristics



## Float Charging Characteristics



## Effects of Temperature on Discharging Time



## Self-discharge Characteristics

